

MIDLAND COUNTY ROAD COMMISSION

BID FORM

Sealed Proposal will be received at the office of the Board of Road Commissioners, County of Midland, located at 2334 N. Meridian Road, Sanford, Michigan, 48657, until:

DATE: Monday, March 7th, 2016, at 1:00 p.m.

Item No. 18 - RAISED THERMOPLASTIC RUMBLE STRIPS

Pavt Mrkg, Thermopl, Rumble Strip	\$ _____/FT.
Pavt Mrkg, Rumble Strip, Remove	\$ _____/FT.

DESCRIPTION

Furnish and install thermoplastic rumble strips in advance of a stop sign or other locations on bituminous roadways as directed by the Managing/Director and/or the Superintendent for the Midland County Road Commission. Perform all work in accordance with Section 811 of the Michigan Department of Transportation Standard Specifications for Construction as well as items contained within this document. Include all traffic control necessary to complete the installations. All work shall be completed by Sept. 15th.

Materials: Select the thermoplastic from the Qualified Products List or submit material data sheets for the product along with references on previous installations for approval by Engineer.

Construction:

1. Clean the bituminous surface, making sure the pavement is dry and above 40 degrees Fahrenheit.
2. Apply the thermoplastic as shown on diagram within this document, entitled "Raised Thermoplastic Rumble Strips for Use on State Trunk lines".
3. Apply glass beads as recommended by the manufacturer of the thermoplastic.

Measurement and Payment. The length of each 6 inch by 3/8 inch strip will be summed to determine the total length for payment. (The bid price submitted shall include all materials, labor, equipment, traffic control, and mobilization necessary to complete this item of work.)

COMPANY BIDDING _____

CONTACT PERSON _____

ADDRESS _____

PHONE/FAX _____

AUTHORIZED SIGNATURE

TITLE

INDICATE ON ENVELOPE: Company Name, Item Number, Bid Item, Time and Date

MIDLAND COUNTY ROAD COMMISSION

SPECIAL PROVISION
FOR
RAISED THERMOPLASTIC RUMBLE STRIPS

MCRC:ALB

02-11-16

a. Description. This work consists of furnishing and installing raised thermoplastic rumble strips on hot mix asphalt (HMA) pavement in advance of a stop sign, or at other locations as directed by the Engineer.

b. Materials. Select the thermoplastic from the Qualified Products List or submit material data sheets for the product along with references on previous installations for approval by Engineer. Use glass beads as recommended by the thermoplastic manufacturer.

c. Construction. Prepare the pavement surface and apply the rumble strips in accordance with section 811 of the Standard Specifications for Construction and the following:

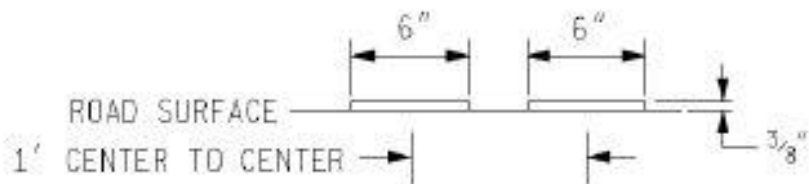
1. Clean the HMA surface, making sure the pavement is dry and above 40 degrees F.
2. Apply the thermoplastic as shown on the Raised Thermoplastic Rumble Strips for Use on State Trunklines detail included in this special provision.
3. Apply glass beads as recommended by the manufacturer of the thermoplastic.

d. Measurement and Payment. The completed work, as described, will be measured and paid for at the contract unit price using the following pay item:

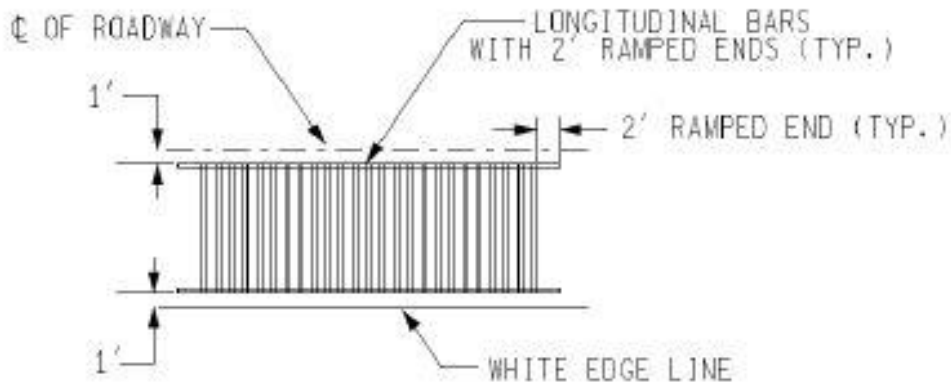
Pay Item	Pay Unit
Pavt Mrkg, Thermopl, Rumble Strip.....	Foot
Pavt Mrkg, Rumble Strip, Remove.....	Foot

The Engineer will measure each length of 6 inch by 3/8 inch thermoplastic material to determine the total length of **Pavt Mrkg, Thermopl, Rumble Strip** for payment.

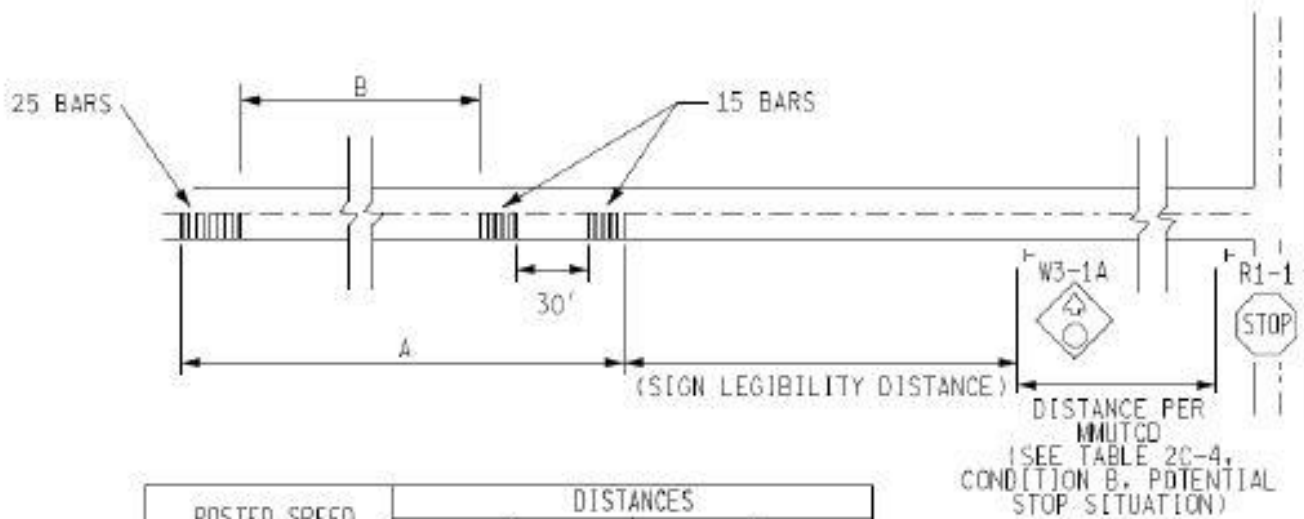
The Engineer will measure each length of existing thermoplastic rumble strip required to be removed to determine the total length for payment of **Pavt Mrkg, Rumble Strip, Remove**.



PROFILE VIEW



PLAN VIEW



POSTED SPEED	DISTANCES	
	A	B
45 MPH	200 FT	115 FT
50 MPH	230 FT	145 FT
55 MPH	245 FT	160 FT

LOCATION

NOTE: DISTANCES GIVEN ARE MINIMUM VALUES

RAISED THERMOPLASTIC RUMBLE STRIPS FOR USE ON STATE TRUNKLINE